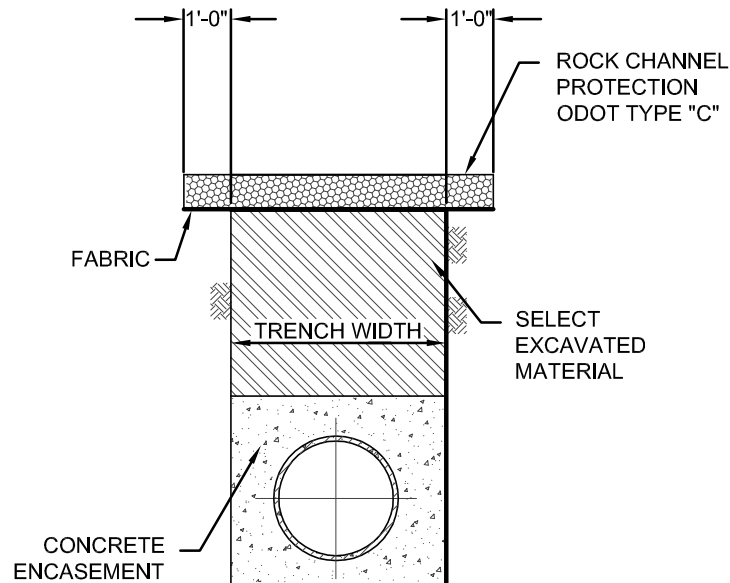
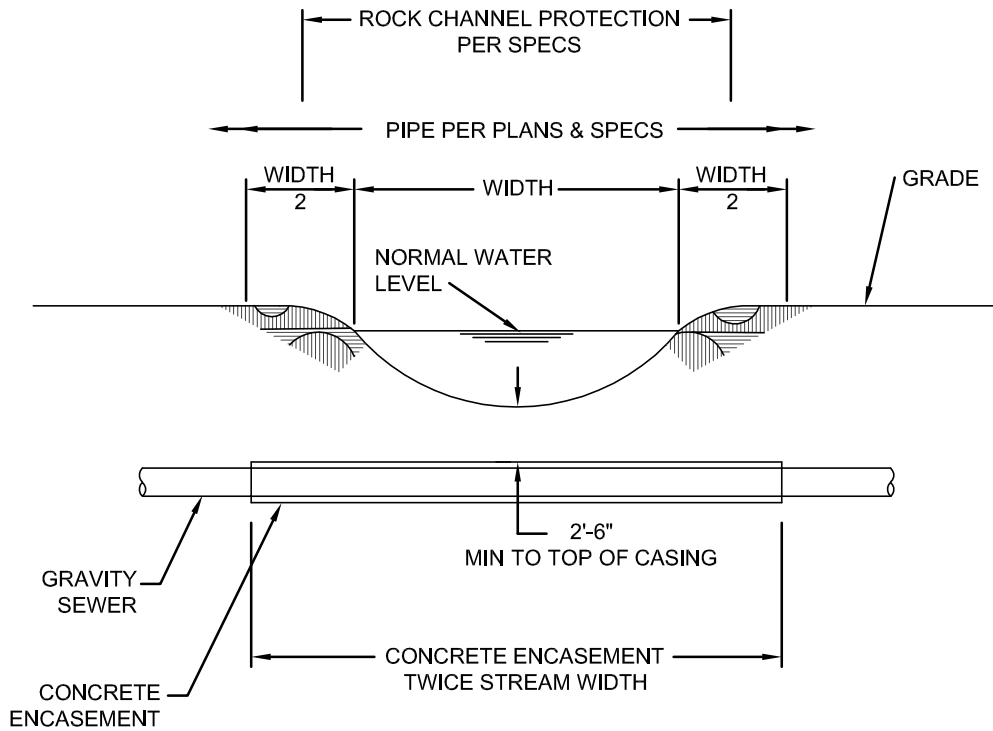


NOTE:
 MANHOLES SHALL NOT BE INSTALLED
 WITHIN THE LIMITS OF THE CONCRETE
 ENCASEMENT OR THE STREAM BANKS



**TYPICAL CREEK
 CROSSING
 FOR GRAVITY
 SEWERS**



BUTLER COUNTY
 WATER AND SEWER
 130 HIGH STREET
 HAMILTON, OH 45011
 TELEPHONE: 513-887-3066
 FAX: 513-887-3777