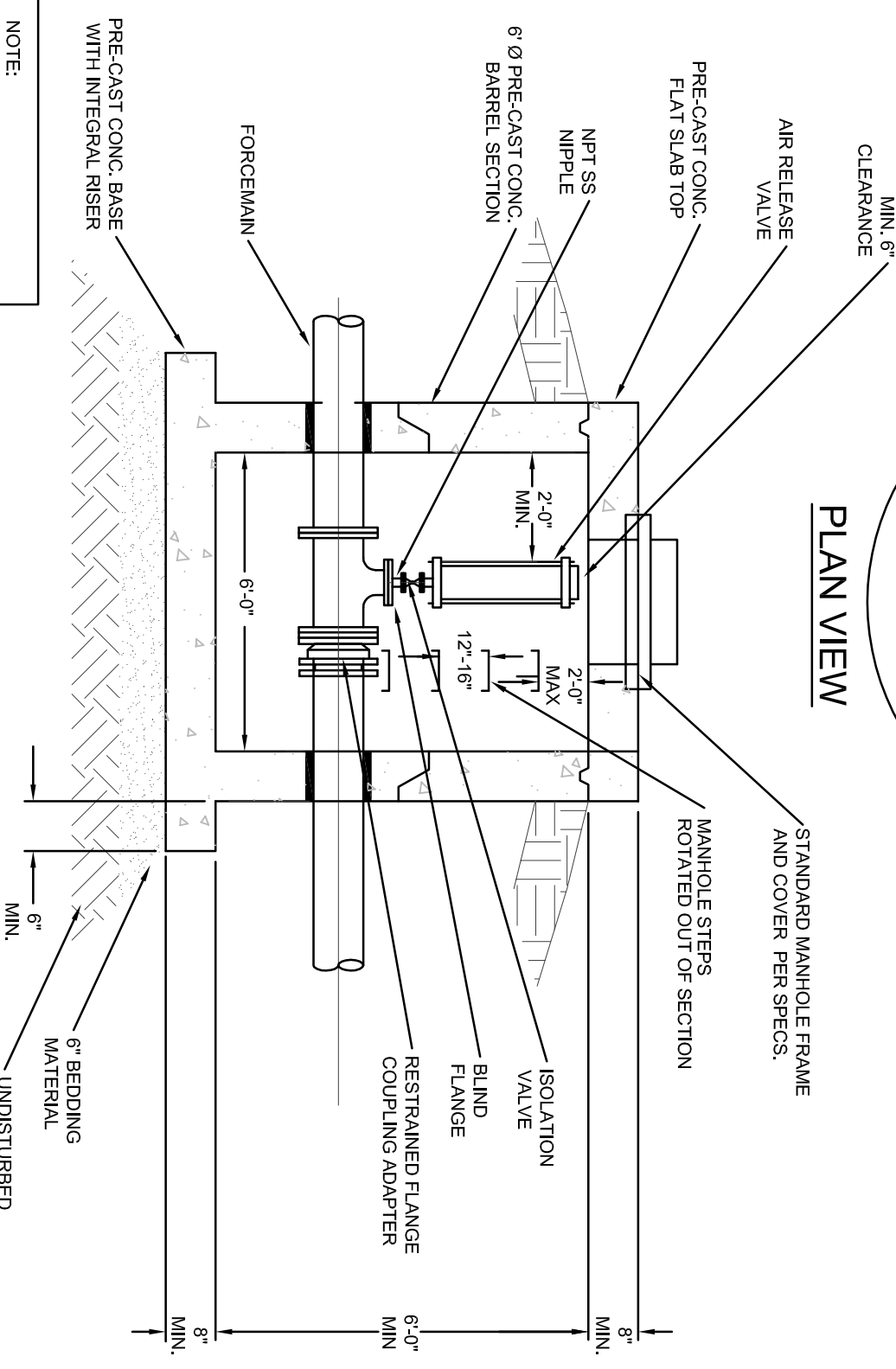
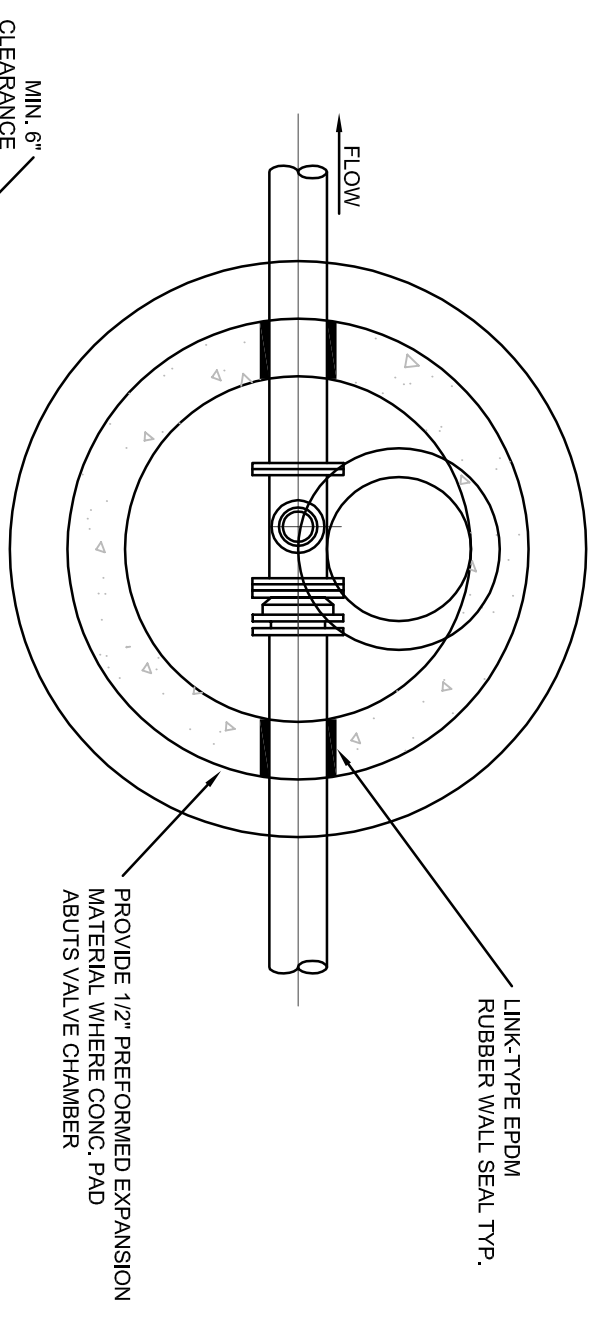


NOTE:
ALL DUCTILE IRON PIPE
AND FITTINGS IN CHAMBER
SHALL HAVE EPOXY COATING

SECTION THRU



PLAN VIEW



**AIR RELEASE VALVE
CHAMBER**



BUTLER COUNTY
WATER AND SEWER

130 HIGH STREET
HAMILTON, OH 45011
TELEPHONE: 513-887-3066
FAX: 513-887-3777