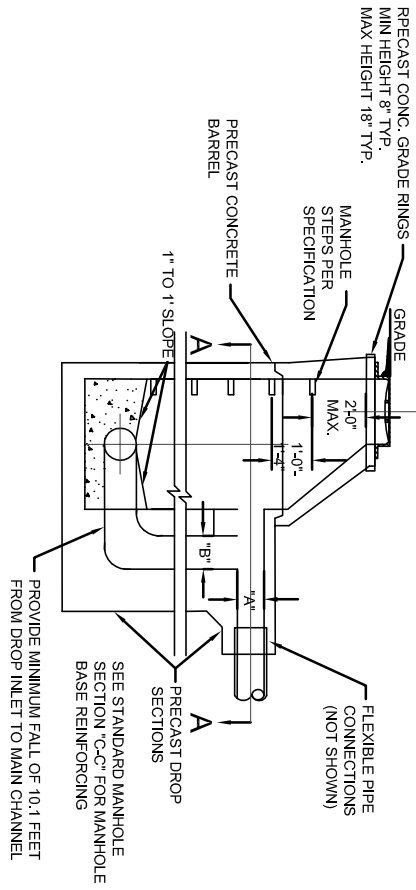
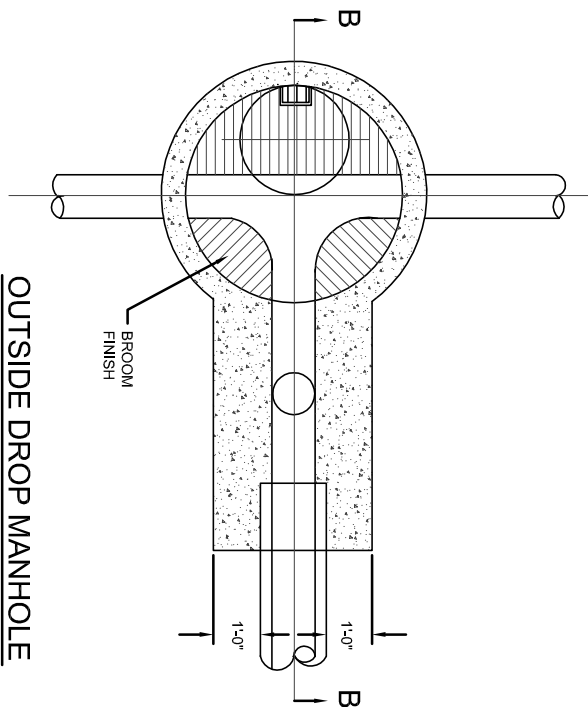


TABLE OF DIMENSIONS	
9"	18"
12"	24"
15"	30"
18"	36"
21"	42"
24"	48"
27"	54"
30"	60"

DROP MANHOLES SHALL BE USED WHEN THE DIFFERENCE IN ELEVATION BETWEEN THE INVERT OF THE INLET AND THE OUTLET PIPE EXCEEDS 2.0 FEET



**OUTSIDE DROP MANHOLE**  
**SECTION "B-B"**



**OUTSIDE DROP MANHOLE**  
**SECTION "A-A"**

**OUTSIDE DROP**  
**MANHOLE DETAIL**



BUTLER COUNTY  
WATER AND SEWER

130 HIGH STREET  
HAMILTON, OH 45011  
TELEPHONE: 513-887-3066  
FAX: 513-887-3777