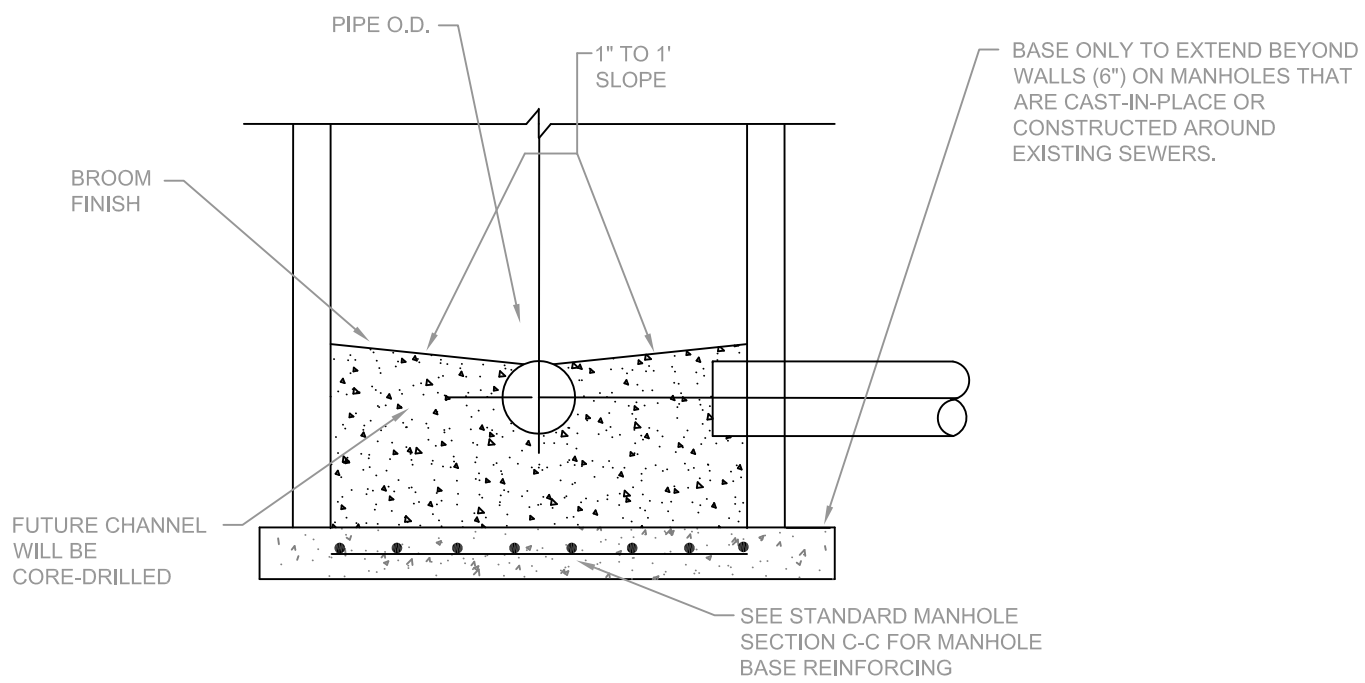


PLAN VIEW



SECTION A - A

STANDARD CAST
IN-PLACE MANHOLE



BUTLER COUNTY
WATER AND SEWER

130 HIGH STREET
HAMILTON, OH 45011
TELEPHONE: 513-887-3066
FAX: 513-887-3777