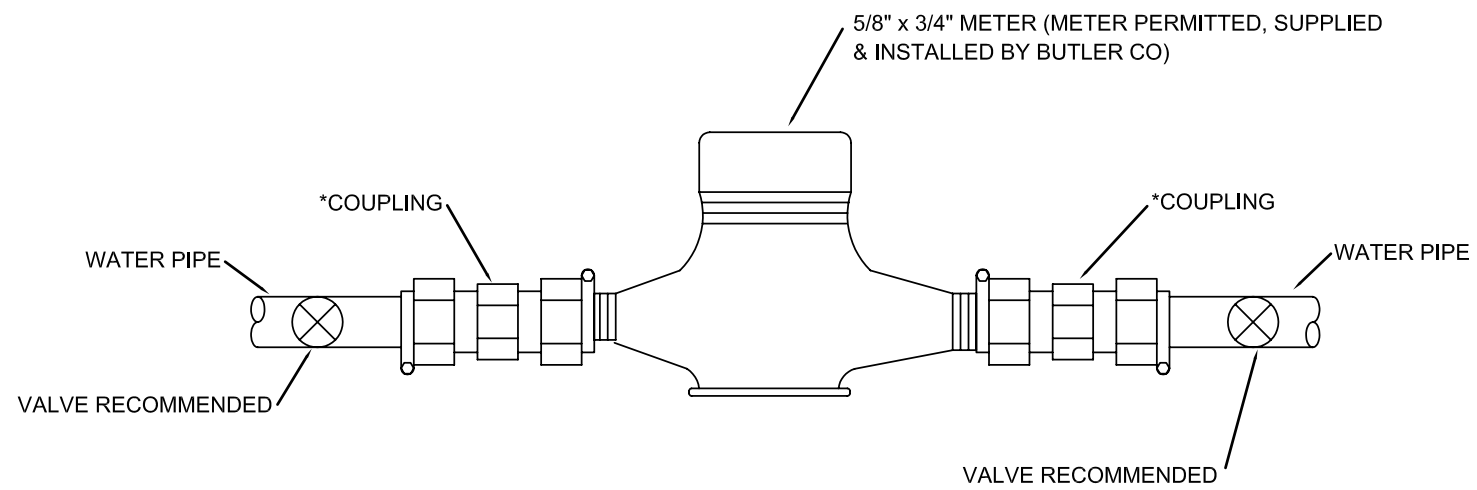


INSIDE METER INSTALLATION

BCWS 5/8" x 3/4" METERS ARE 7 1/2" LONG AND HAVE 1" MALE METER THREADS ON BOTH ENDS.

PARTS AND INFO BELOW ARE BASED ON A STANDARD 5/8" x 3/4" METER

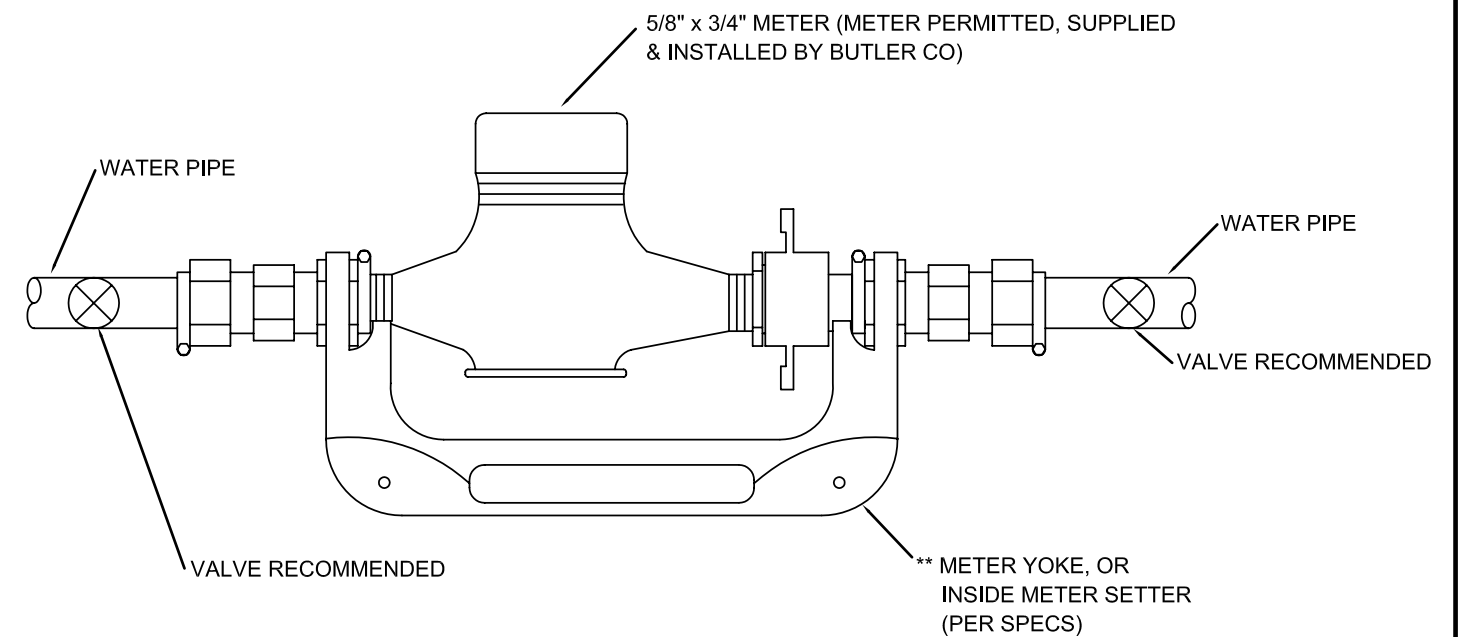


*BCWS METERS REQUIRE TWO 1" MALE THREADED STRAIGHT METER COUPLINGS WITH PACK JOINT, SUCH AS FORD C34-23, MUELLER H-14500, OR EQUAL. FOR PARTS, REFERENCE WEBSITES:

<http://www.fordmeterbox.com/catpdfs/HJPEEG.pdf>

<http://www.muellercompany.com/water/products/default.aspx?catid=14>

ALTERNATE INSIDE METER INSTALLATION



** METER YOKE IS FORD # Y502 (5/8 "x3/4 ") WITH 1" MALE THREADED INLET AND OUTLET OR INSIDE METER SETTER FORD COPPERHORN, FORD PLUMBHORN, FORD HANDYHORN, FORD DROPHORN, ETC. FOR PARTS, REFERENCE WEBSITES:

www.muellercompany.com/water/products/default.aspx?catid=9

<http://www.fordmeterbox.com/catpdfs/EJPEEG.pdf>

<http://www.fordmeterbox.com/catpdfs/BJPEEG.pdf>

BUTLER COUNTY
WATER AND SEWER

130 HIGH STREET
HAMILTON, OH 45011
TELEPHONE: 513-887-3066
FAX: 513-887-3777



INSIDE DEDUCT METER DETAIL