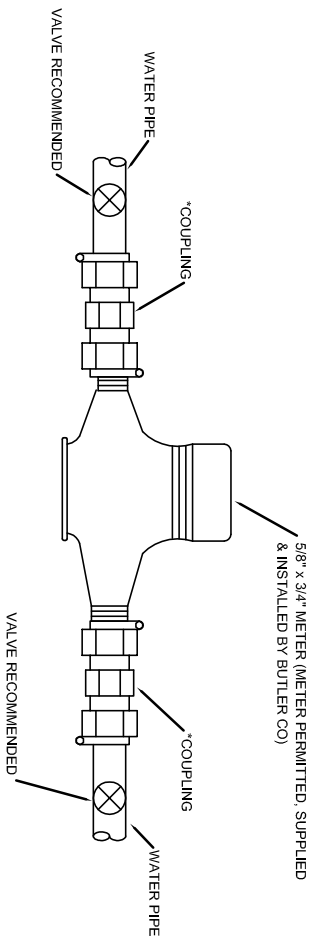


### INSIDE METER INSTALLATION

BCWS 5/8" x 3/4" METERS ARE 7 1/2" LONG AND HAVE 1" MALE METER THREADS ON BOTH ENDS.

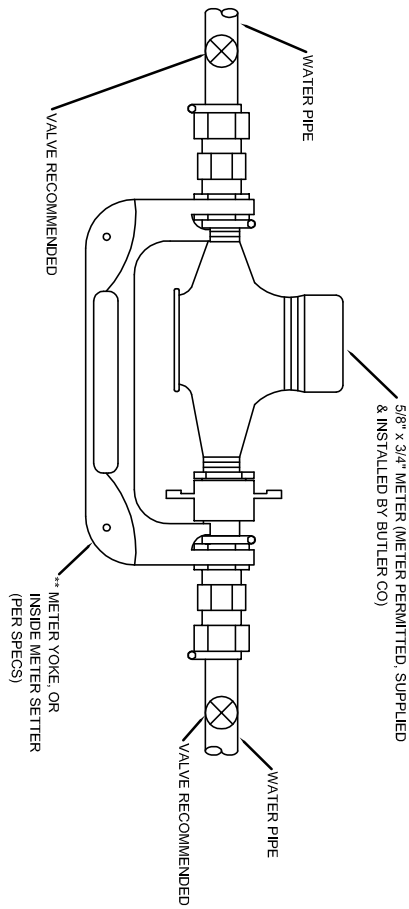
PARTS AND INFO BELOW ARE BASED ON A STANDARD 3/8" x 3/4" METER



\*BCWS METERS REQUIRE TWO 1" MALE THREADED STRAIGHT METER COUPLINGS WITH PACK JOINT, SUCH AS FORD C34.23, MUELLER H-14500, OR EQUAL. FOR PARTS, REFERENCE WEBSITES:

<http://www.fordmeterbox.com/catpdfs/HJPEG.pdf>  
<http://www.muellercompany.com/water/products/default.aspx?catId=14>

### ALTERNATE INSIDE METER INSTALLATION



\*\* METER YOKE IS FORD # Y502 (5/8" x 3/4") WITH 1" MALE THREADED INLET AND OUTLET OR INSIDE METER SETTER FORD COPPERHORN, FORD PLUMBORN, FORD HANDYHORN, FORD DROPHORN, ETC. FOR PARTS, REFERENCE WEBSITES:

[www.muellercompany.com/water/products/default.aspx?catId=9](http://www.muellercompany.com/water/products/default.aspx?catId=9)  
<http://www.fordmeterbox.com/catpdfs/EJPEG.pdf>  
<http://www.fordmeterbox.com/catpdfs/BJPEG.pdf>

## INSIDE DEDUCT METER DETAIL



BUTLER COUNTY  
 WATER AND SEWER  
 130 HIGH STREET  
 HAMILTON, OH 45011  
 TELEPHONE: 513-887-3066  
 FAX: 513-887-3777