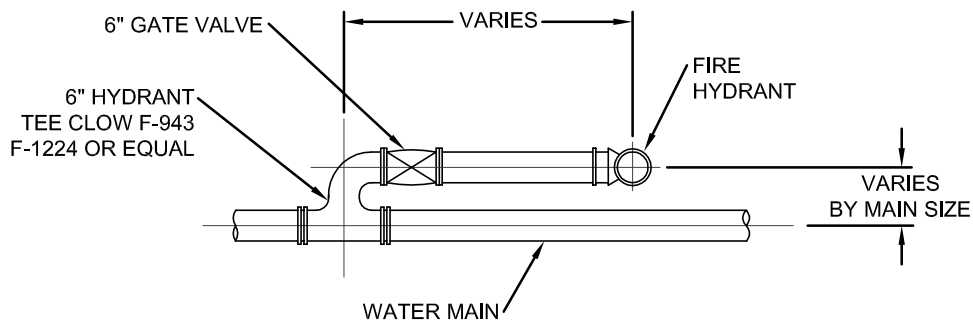


STANDARD HYDRANT SETTING

NOTES APPLY TO BOTH DETAILS:

- 1.) FITTINGS TO BE MECHANICAL JOINT HYDRANT ANCHOR FITTINGS.
- 2.) SEE TYPICAL FIRE HYDRANT INSTALLATION DETAIL FOR ADDITIONAL DETAILS.



ALTERNATE HYDRANT SETTING
(MUST BE APPROVED BY THE ENGINEER)

**SETTINGS FOR HYDRANT
ADJACENT TO MAIN**



BUTLER COUNTY
WATER AND SEWER

130 HIGH STREET
HAMILTON, OH 45011
TELEPHONE: 513-887-3066
FAX: 513-887-3777