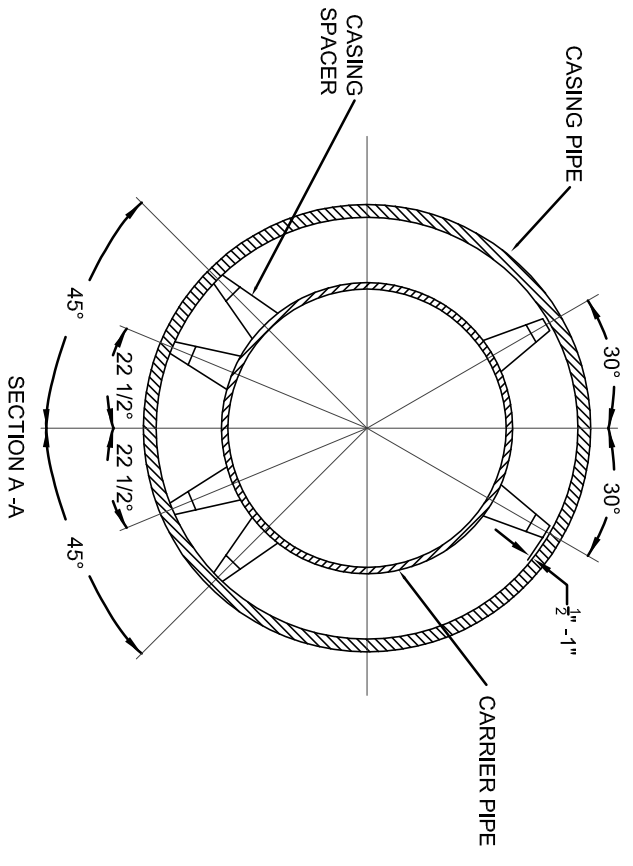
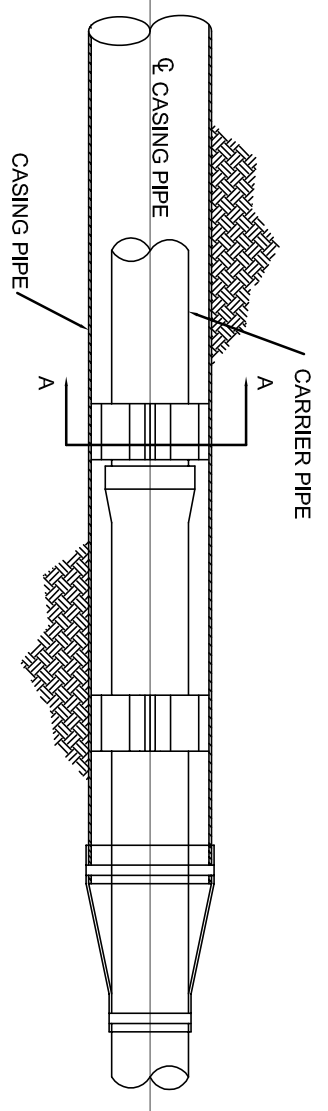
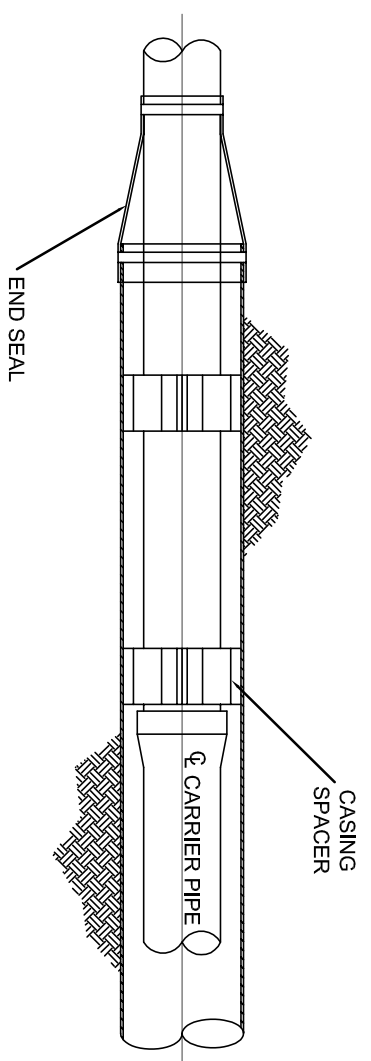
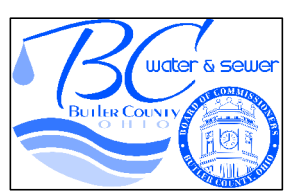


- 1) THE CARRIER PIPE SHALL BE BRACED WITHIN THE CASING PIPE WITH CASING SPACERS THAT PLACE THE CARRIER PIPE IN A "RESTRAINED" POSITION TO PRECLUDE POSSIBLE FLOATATION WHILE PROVIDING 1/2"-1" CLEARANCE BETWEEN THE TOP RUNNERS AND THE CASING PIPE.
- 2) CASING SPACERS SHALL BE INSTALLED WITHIN ONE (1) FOOT OF EACH SIDE OF CARRIER PIPE JOINTS, WITHIN ONE (1) FOOT OF EACH END OF THE CASING PIPE AND ON 6 FOOT CENTERS THEREAFTER.
- 3) THERE SHALL BE TWO (2) RUNNERS ON TOP AND TWO (2) RUNNERS ON BOTTOM OF CASING SPACER FOR CARRIER PIPE DIAMETERS OF 4'-12" OR TWO (2) RUNNERS ON TOP AND FOUR (4) RUNNERS ON BOTTOM FOR CARRIER PIPE DIAMETERS OF 14'-36".
- 4) AT EACH END OF THE CASING PIPE, THE CARRIER AND CASING PIPE SHALL BE WRAPPED WITH END SEALS.



**SEWER FORCE MAIN & WATER
MAIN ENCASEMENT DETAIL**



BUTLER COUNTY
WATER AND SEWER

130 HIGH STREET
HAMILTON, OH 45011
TELEPHONE: 513-887-3066
FAX: 513-887-3777