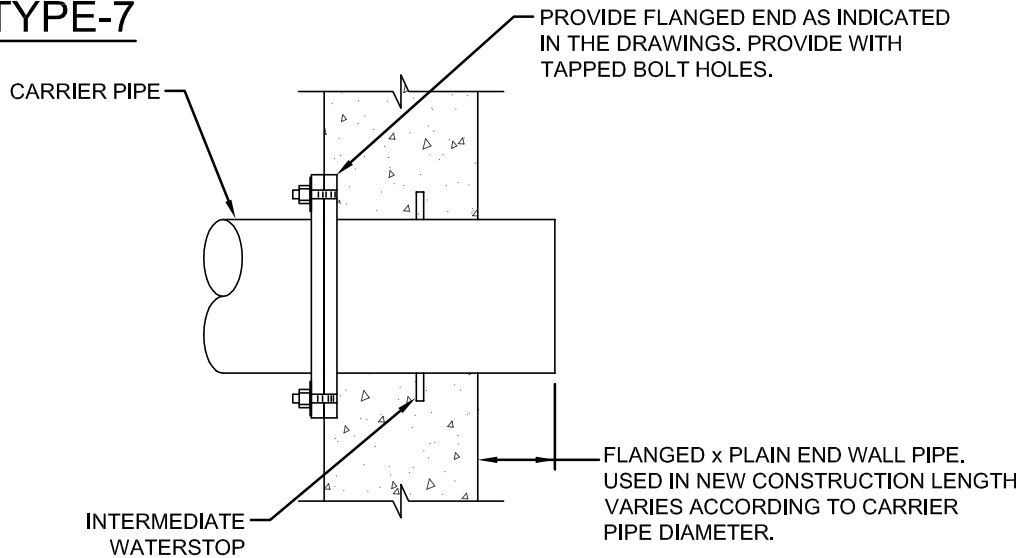


## TYPE-7



### NOTES:

PROVIDE TEMPORARY PLUGS FOR TAPPED BOLT HOLES TO PREVENT CONCRETE FILLING IN FLUSH CONSTRUCTION.

INTERMEDIATE WATERSTOP TO BE CENTERED WITHIN WALL UNLESS NOTED OTHERWISE.

DUCTILE IRON WALL PIPES SHALL BE USED FOR 4" DIAMETER AND LARGER PIPING UNLESS NOTED OTHERWISE.

## FL x PE PIPE WALL PENETRATION



BUTLER COUNTY  
WATER AND SEWER

130 HIGH STREET  
HAMILTON, OH 45011  
TELEPHONE: 513-887-3066  
FAX: 513-887-3777

4230