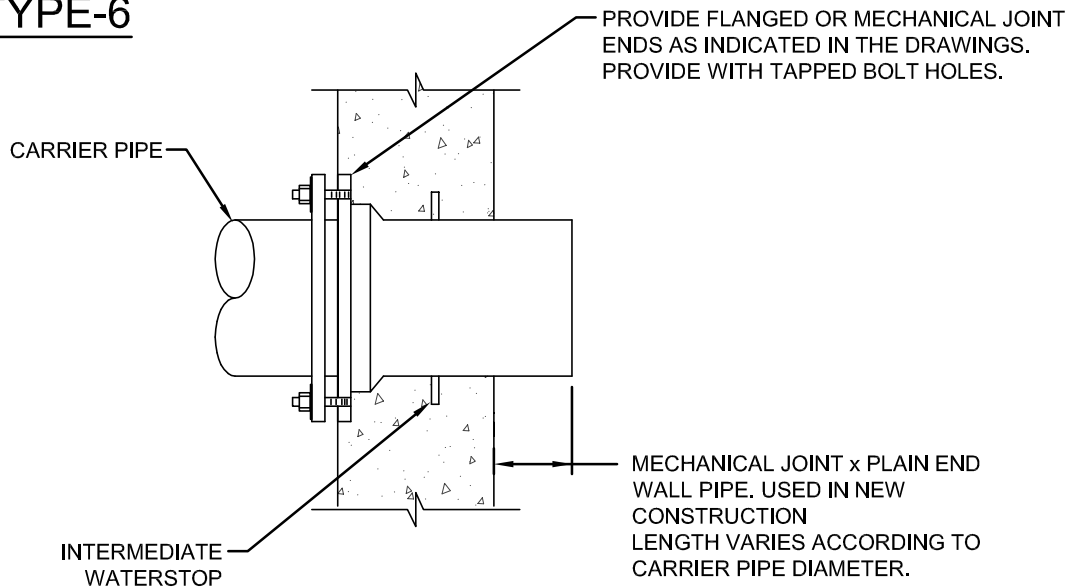


TYPE-6



NOTES:

PROVIDE TEMPORARY PLUGS FOR TAPPED BOLT HOLES TO PREVENT CONCRETE FILLING IN FLUSH CONSTRUCTION.

INTERMEDIATE WATERSTOP TO BE CENTERED WITHIN WALL UNLESS NOTED OTHERWISE.

DUCTILE IRON WALL PIPES SHALL BE USED FOR 4" DIAMETER AND LARGER PIPING UNLESS NOTED OTHERWISE.

MJ x PE PIPE WALL PENETRATION



BUTLER COUNTY
WATER AND SEWER

130 HIGH STREET
HAMILTON, OH 45011
TELEPHONE: 513-887-3066
FAX: 513-887-3777

4220