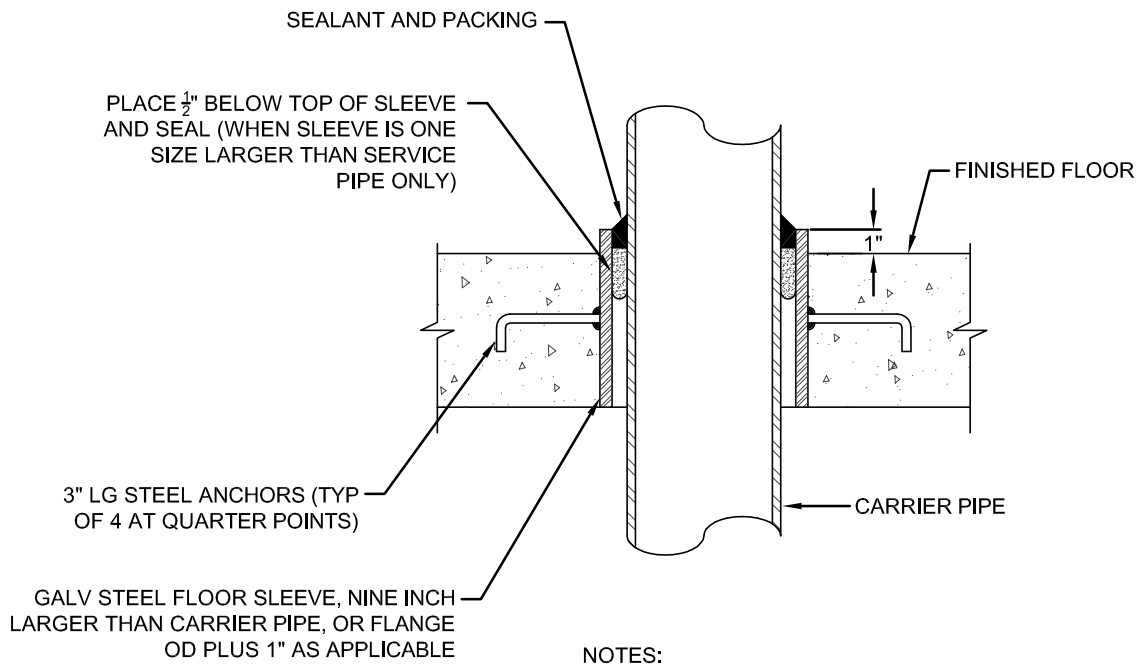


TYPE-2



NOTES:

THE CONTRACTOR SHALL CORE EXISTING FLOORS AND SEAL AS SHOWN, STEEL SLEEVE TO BE ELIMINATED IN EXISTING CONSTRUCTION.

SLEEVE FLOOR PENETRATION



BUTLER COUNTY
WATER AND SEWER

130 HIGH STREET
HAMILTON, OH 45011
TELEPHONE: 513-887-3066
FAX: 513-887-3777

4190