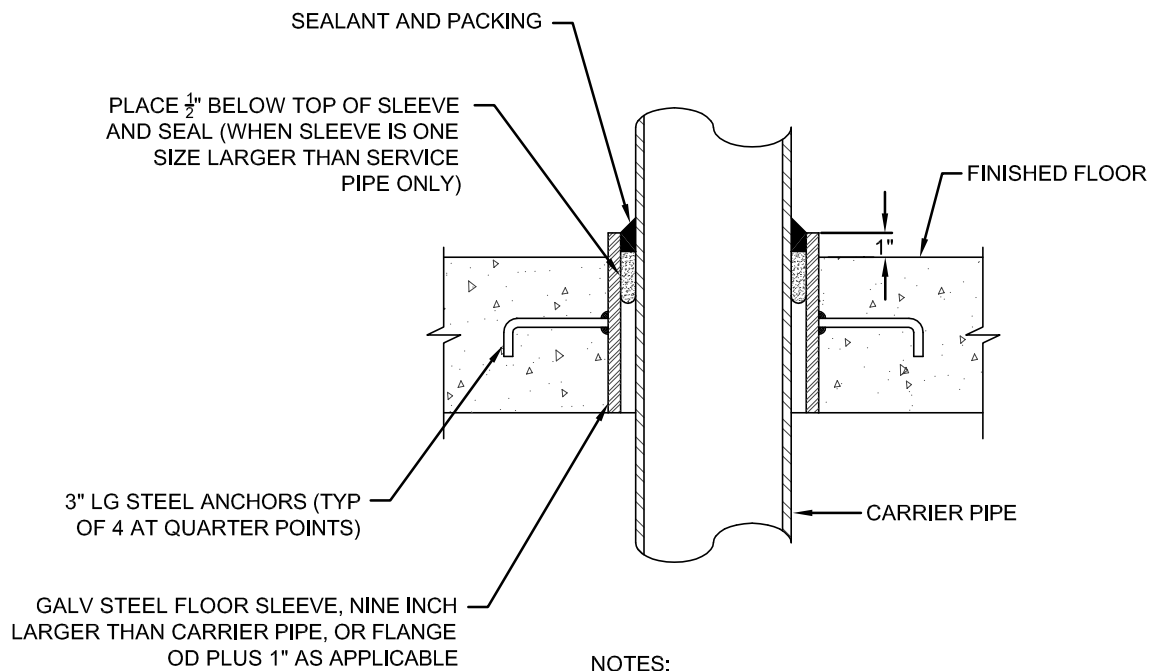


## TYPE-2



### NOTES:

THE CONTRACTOR SHALL CORE EXISTING FLOORS AND SEAL AS SHOWN. STEEL SLEEVE TO BE ELIMINATED IN EXISTING CONSTRUCTION.

## SLEEVE FLOOR PENETRATION



BUTLER COUNTY  
WATER AND SEWER

130 HIGH STREET  
HAMILTON, OH 45011  
TELEPHONE: 513-887-3066  
FAX: 513-887-3777

4190