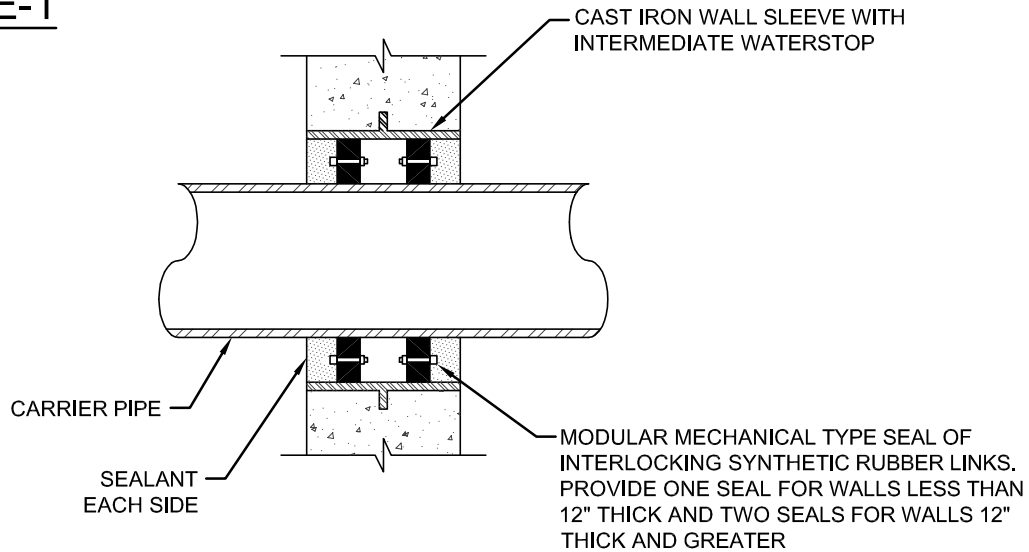


TYPE-1



NOTES:

CORE DRILL OPENING PER SEAL MANUFACTURER REQUIREMENTS FOR EXISTING WALLS.

INSIDE DIAMETER OF SLEEVE ACCORDING TO SEAL MANUFACTURER REQUIREMENTS DEPENDING UPON CARRIER PIPE OUTSIDE DIAMETER.

INTERMEDIATE WATERSTOP TO BE CENTERED WITHIN WALL UNLESS NOTED OTHERWISE.

MECHANICAL SEAL WALL PENETRATION



BUTLER COUNTY
WATER AND SEWER

130 HIGH STREET
HAMILTON, OH 45011
TELEPHONE: 513-887-3066
FAX: 513-887-3777

4180