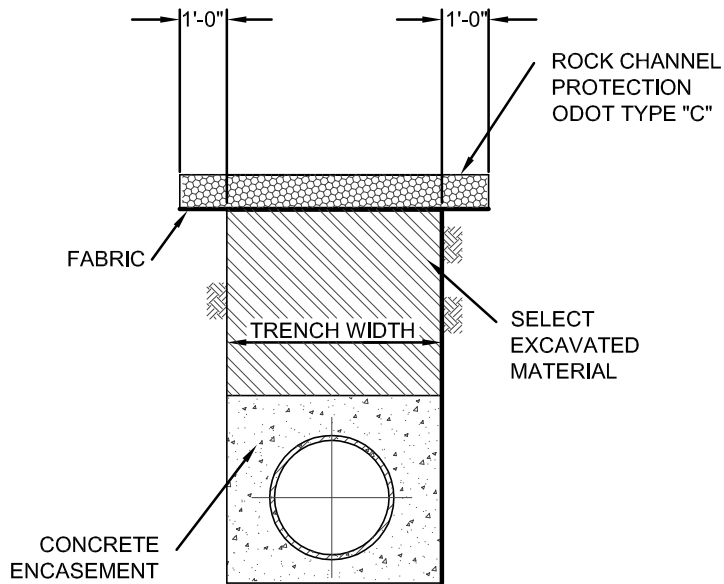
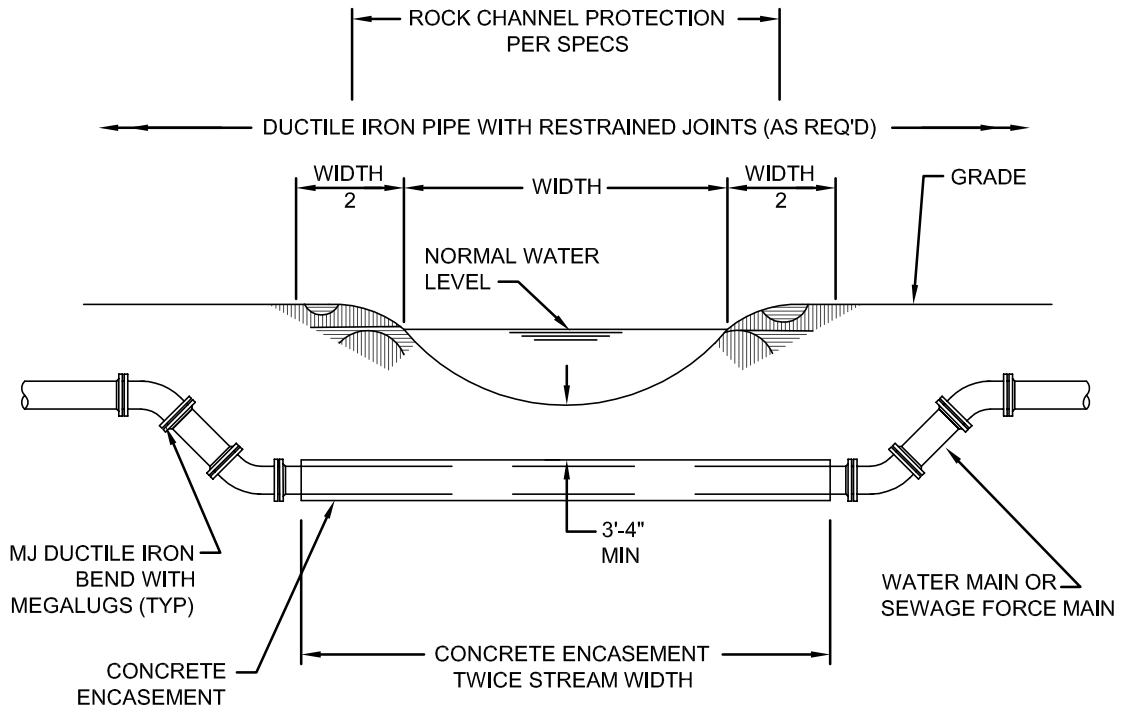


NOTE:
 FOR WATER MAINS ONLY:
 MODIFICATIONS FROM THIS DETAIL
 MAY BE NECESSARY IF WATER WIDTH
 IS GREATER THAN 15'-0" (SEE SPECS)



**TYPICAL CREEK CROSSING &
 TRENCH DETAIL FOR WATER &
 SEWER FORCE MAINS**



BUTLER COUNTY
 WATER AND SEWER

130 HIGH STREET
 HAMILTON, OH 45011
 TELEPHONE: 513-887-3066
 FAX: 513-887-3777